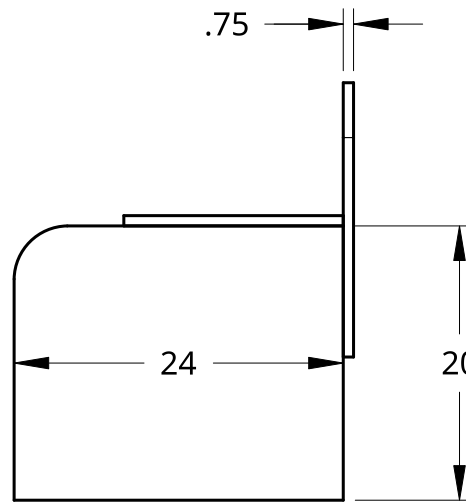
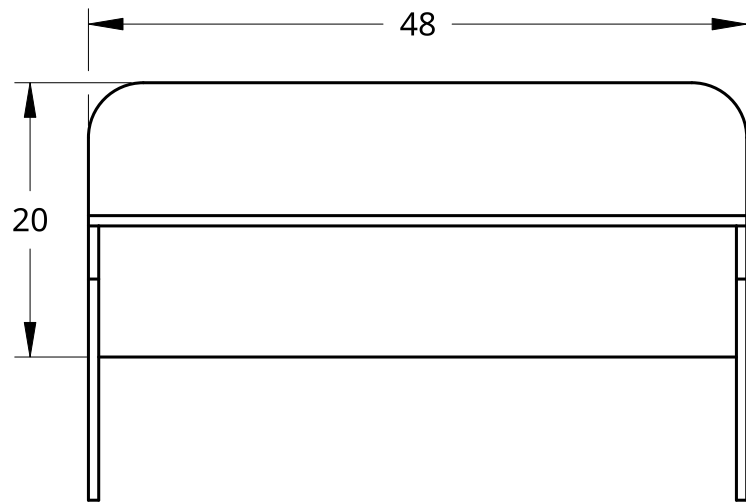
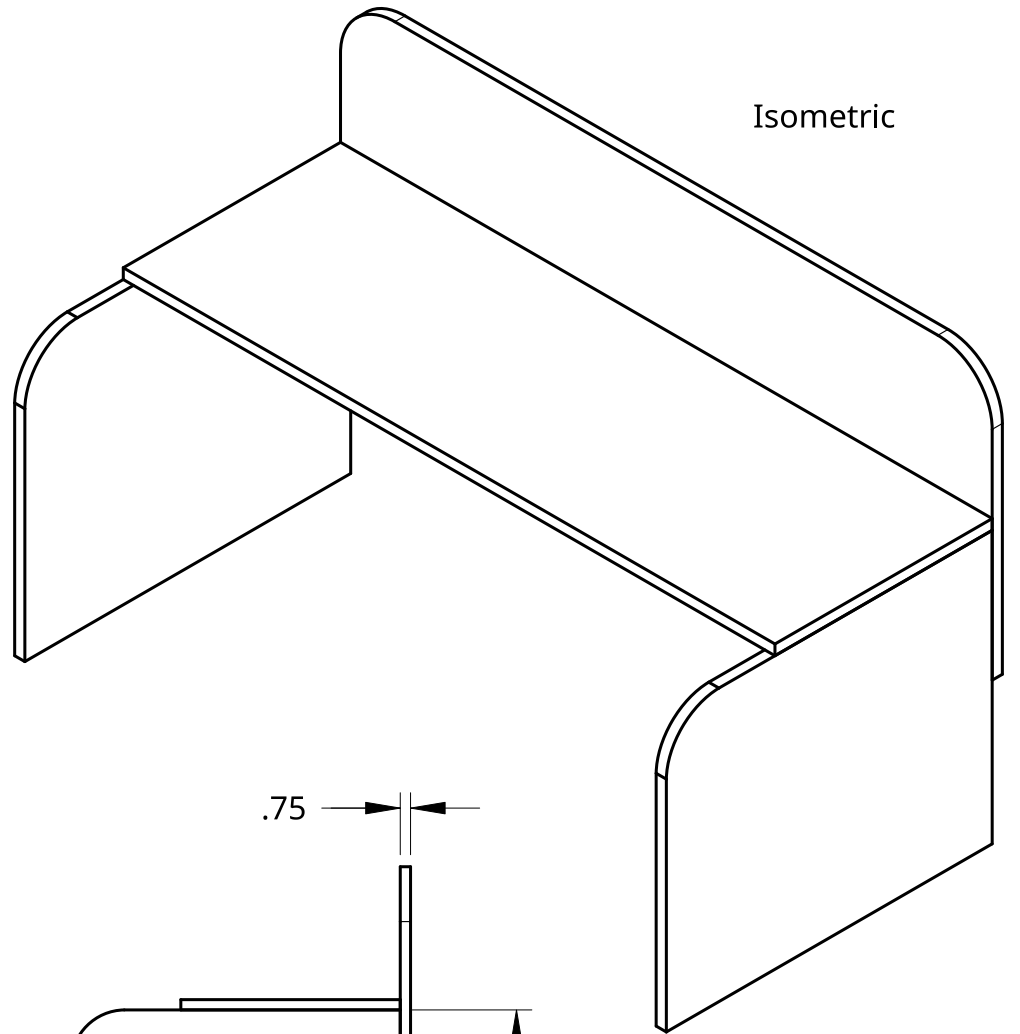
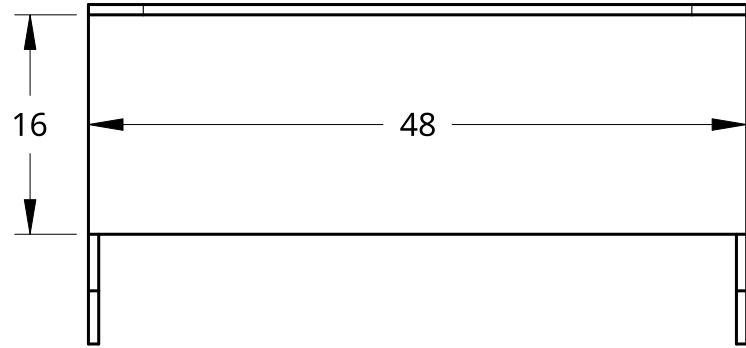


2

1

Top

Isometric



Front

Right

2

1

B

B

A

A